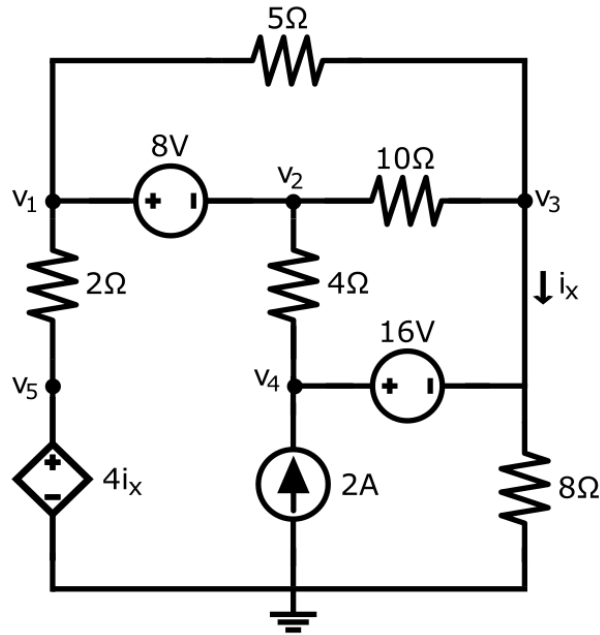


EEE 31 Problem Set 1 Deadline: April 2, 2018 (12NN)

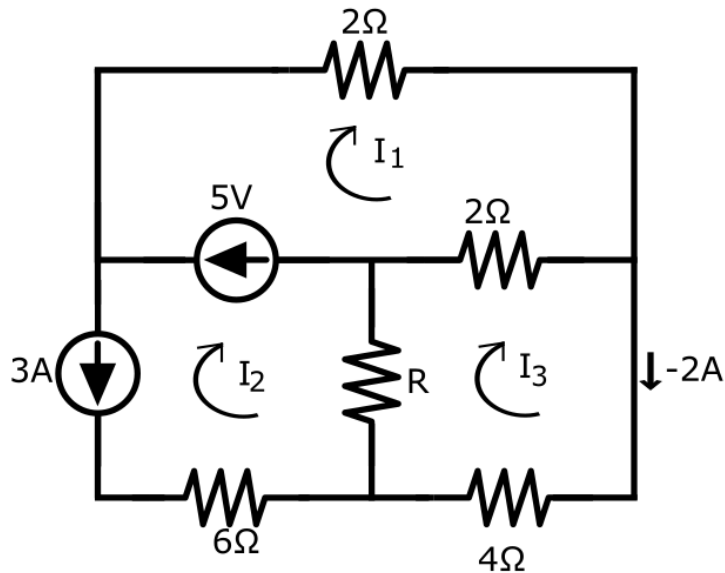
Problem 1 (15 pts)

Determine the value of the node voltages v_1 , v_2 , v_3 , v_4 and v_5 . What is the power generated/absorbed by each independent source?



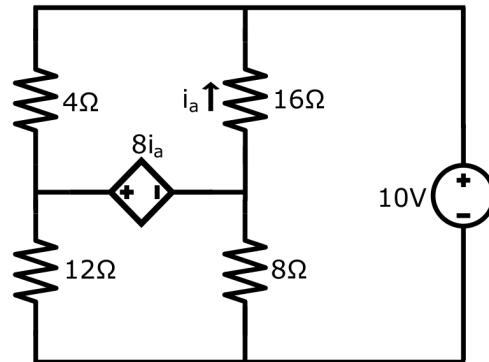
Problem 2 (10 pts)

Given the mesh currents I_1 , I_2 and I_3 , determine the value of the resistance R . Determine the voltage, current and power for each element in the circuit.



Problem 3 (20 pts)

Using both mesh current and node voltage analysis, determine the power supplied by the dependent source.



Problem 4 (15 pts)

The mesh currents in the circuit shown are

$$I_1 = -1.375 \text{ A} \quad I_2 = -2.5 \text{ A} \quad I_3 = -3.25 \text{ A}$$

Determine the values of the gains X and Y of the dependent sources shown.

