

EEE 31 second semester AY2017-2018 : Homework 02

Instructions:

- Due 4:00 pm on Wednesday, 21 February 2018.
- A drop box will be provided at EEEI Room 220.
- Submit your solutions using yellow pad. Start each problem on a new sheet of paper.

1. Determine the equivalent resistance across terminals a and b .

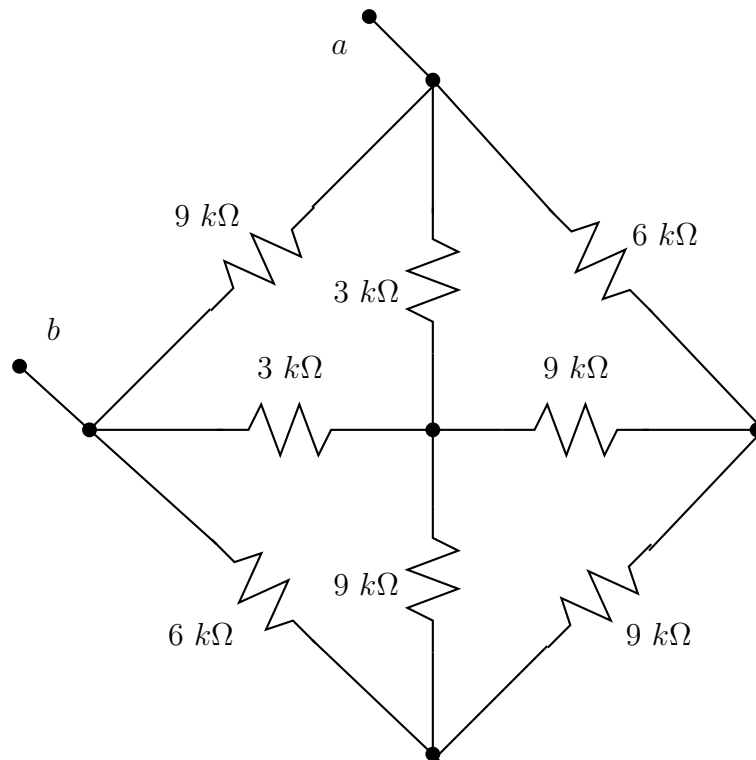


Figure 1:

2. Find the voltage V_x .

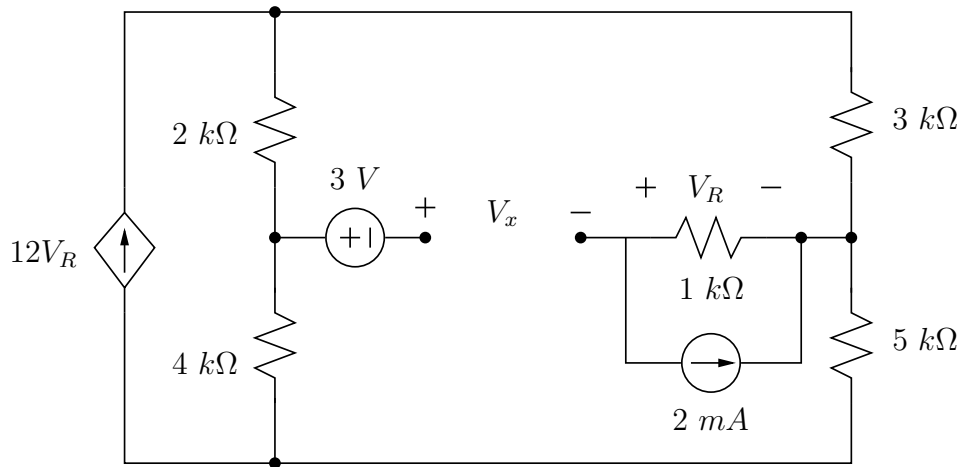


Figure 2:

3. With no load, $V_o = 5.5 V$. What is R_a ?

If the load R_L requires at least 4.7 V to operate, what is the range of acceptable values for R_L ?

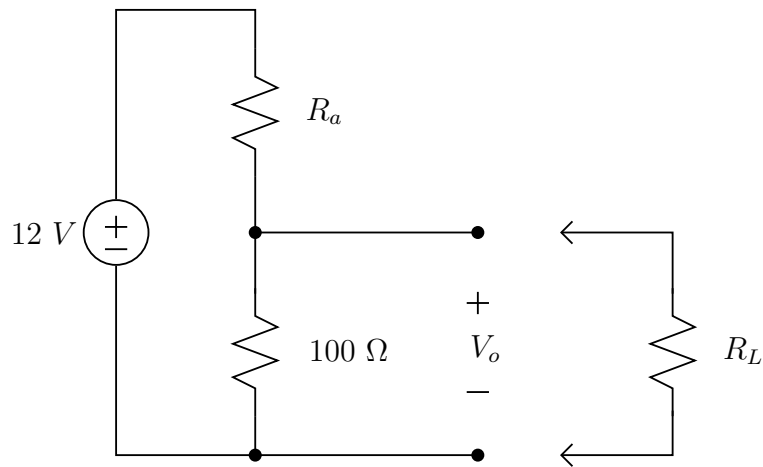


Figure 3: