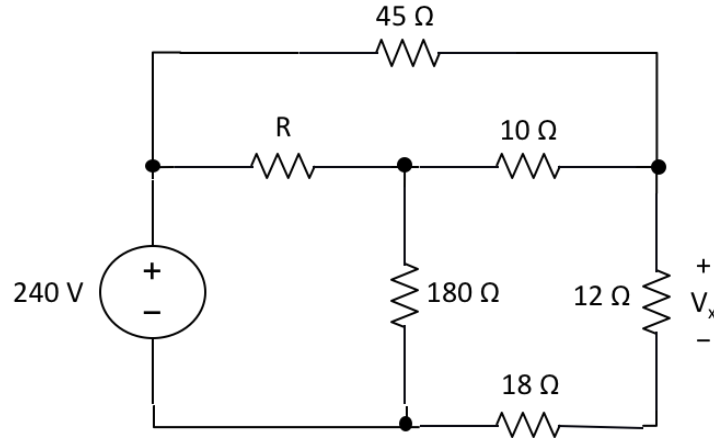


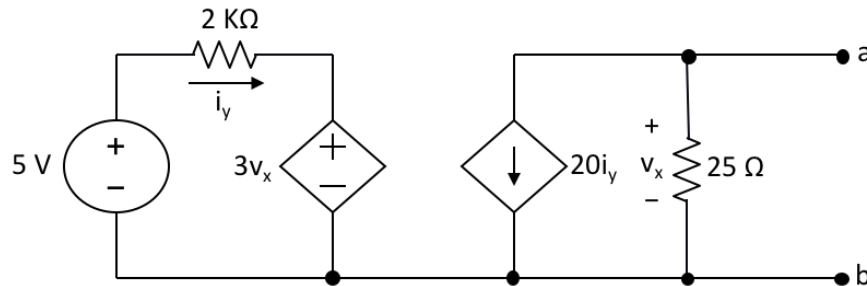
EEE 31 2nd Semester 2017-2018
Homework No. 1

Instructions:

- Due 4:00 pm on Wednesday, 14 February. A drop box will be provided at EEEI Room 220.
 - Submit your solutions using yellow pad. Start each problem on a new sheet of paper.
1. For the circuit below, what value of R will cause the voltage V_x to equal 60 volts? Hint: There is no need to solve simultaneous equations to get the answer.



2. For the given circuit, solve for the voltage across terminals a and b.



3. Find R_{ab} for the circuit given below.

