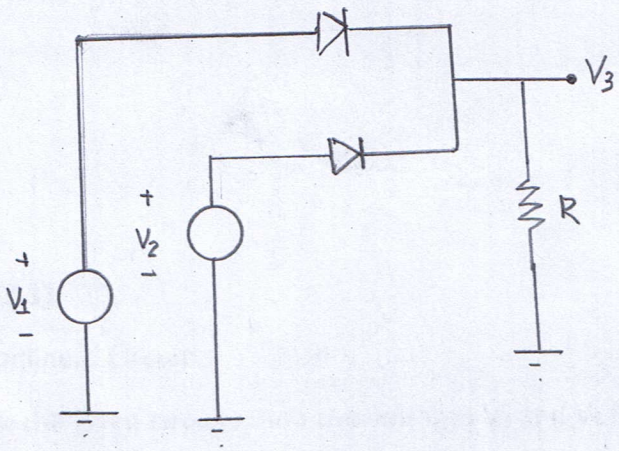


Nonlinear Circuits

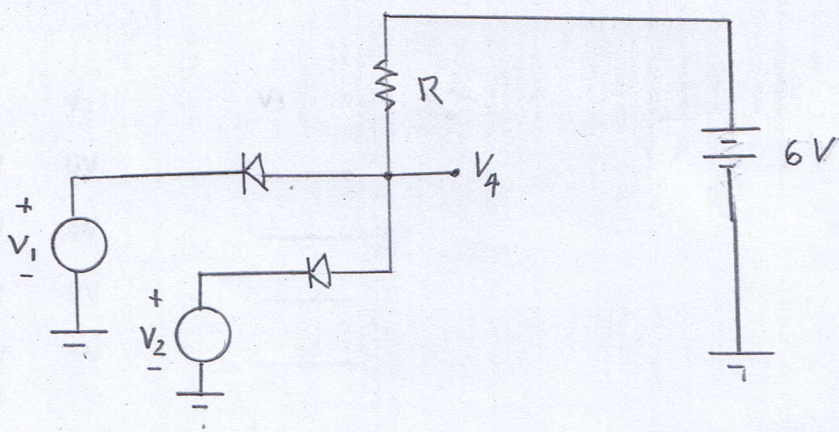
For the given circuits, find the voltages V_3 and V_4 for each pair of values of V_1 and V_2 given below.

Circuit 1



V_1	V_2	V_3
0V	0V	_____
0V	5V	_____
5V	0V	_____
5V	5V	_____

Circuit 2



V_1	V_2	V_4
0V	0V	_____
0V	5V	_____
5V	0V	_____
5V	5V	_____